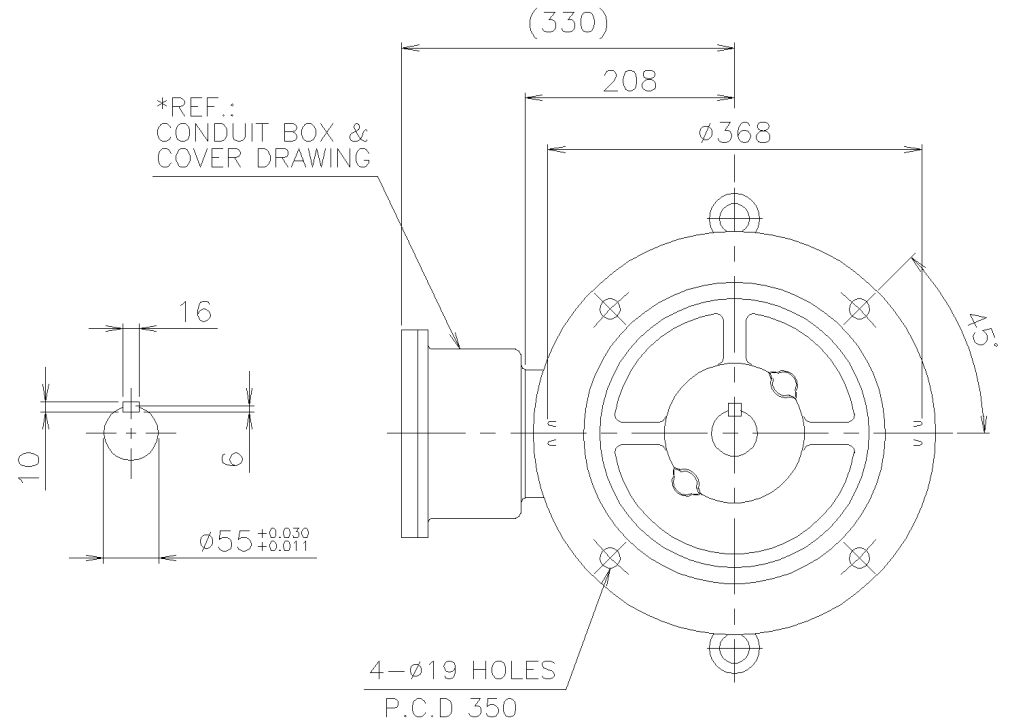
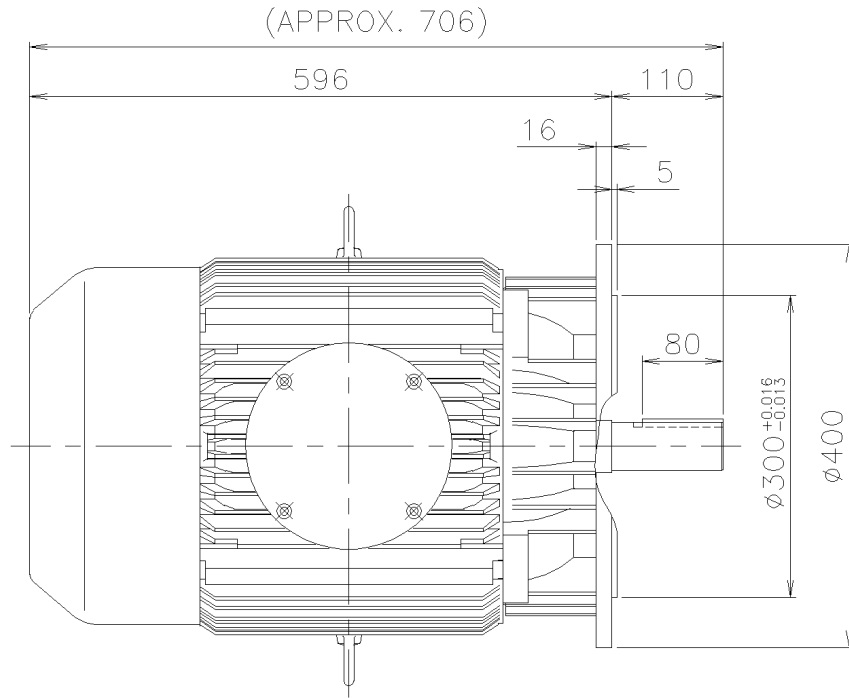


이 도면상에 표시된 정보는 (주)효성의 소유이며 당사의 사전 서면동의 없이 무단사용을 금합니다. The information written in this drawing is HYOSUNG's property, and may not be disclosed and/or reproduced without the prior official permission of HYOSUNG Corp.



<NOTE>

1. THE CONDUIT BOX CAN BE LOCATED ON OPPOSITE SIDE IF CUSTOMER WANTS IT.
2. THE CONDUIT BOX MAY BE ROTATED STEPS OF 90°.
3. UNIT : mm

TYPE AC MOTOR EF-F FR.180L					DWG. NAME OUTLINE DIMENSIONS					
DRAWN	DESIGN	CHECKED	REVIEWED	APPROVED	REF. DWG. NO.	SCALE	1/7.5	DATE	2011-03-08	UNIT
	심상미 2011/03/08	이상순 2011/03/08		이경순 2011/03/09						mm
					DWG. NO.	DSMK11010H13				