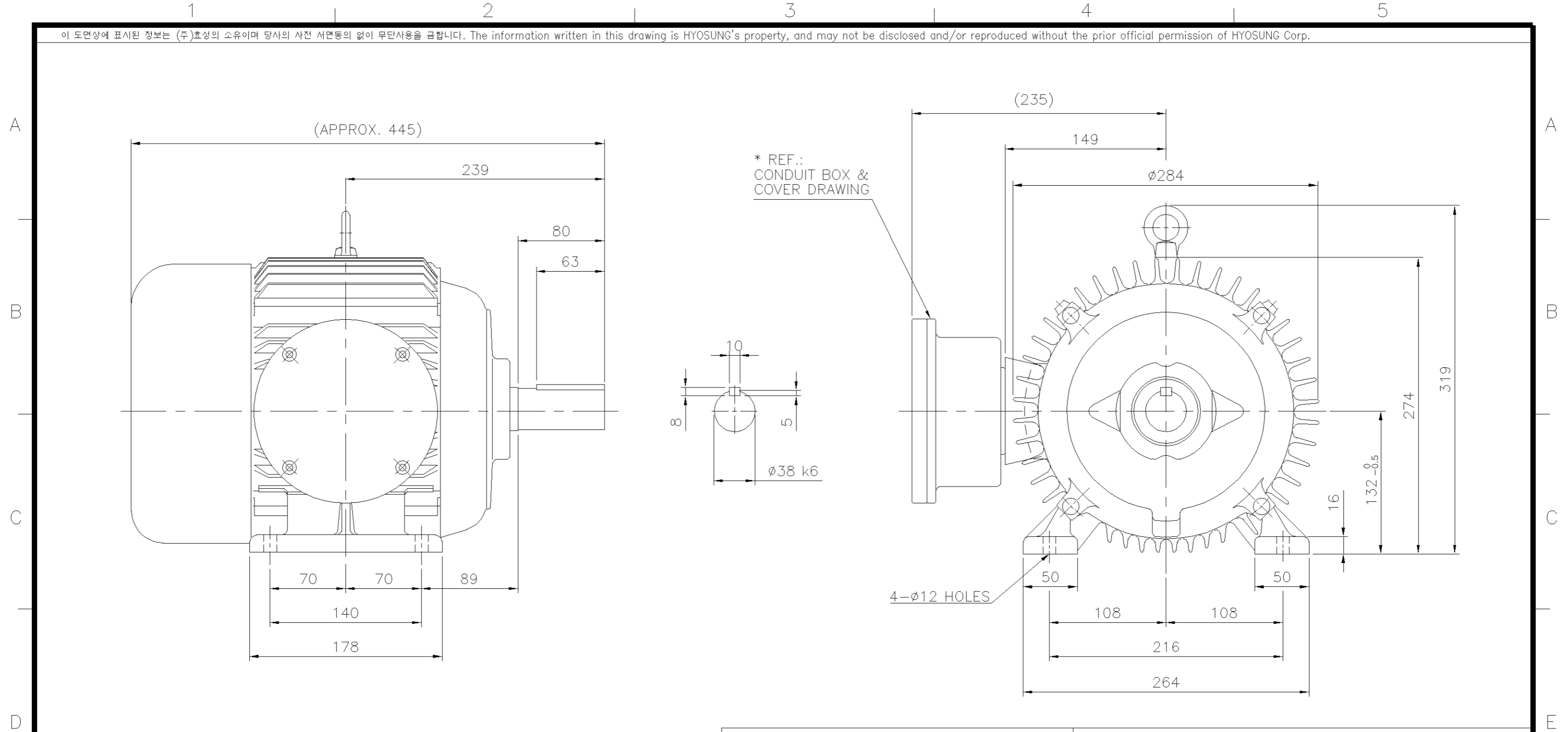


이 도면상에 표시된 정보는 (주)효성의 소유이며 당사의 사전 서면동의 없이 무단사용을 금합니다. The information written in this drawing is HYOSUNG's property, and may not be disclosed and/or reproduced without the prior official permission of HYOSUNG Corp.



<NOTE>

- 1) THE CONDUIT BOX CAN BE LOCATED ON OPPOSITE SIDE IF CUSTOMER WANTS IT.
- 2) THE CONDUIT BOX MAY BE ROTATED STEPS OF 90°.
- 3) UNIT : mm.

TYPE AC MOTOR EF FR.132S					DWG. NAME OUTLINE DIMENSIONS				
DRAWN	DESIGN	CHECKED	REVIEWED	APPROVED		SCALE	1/5	DATE	2011-03-08
	심 2011/03/08 상미	이 2011/03/08 상순		이 2011/03/09 경순	REF. DWG. NO.				UNIT mm
HYOSUNG					DWG. NO.	DSMK11004H06			